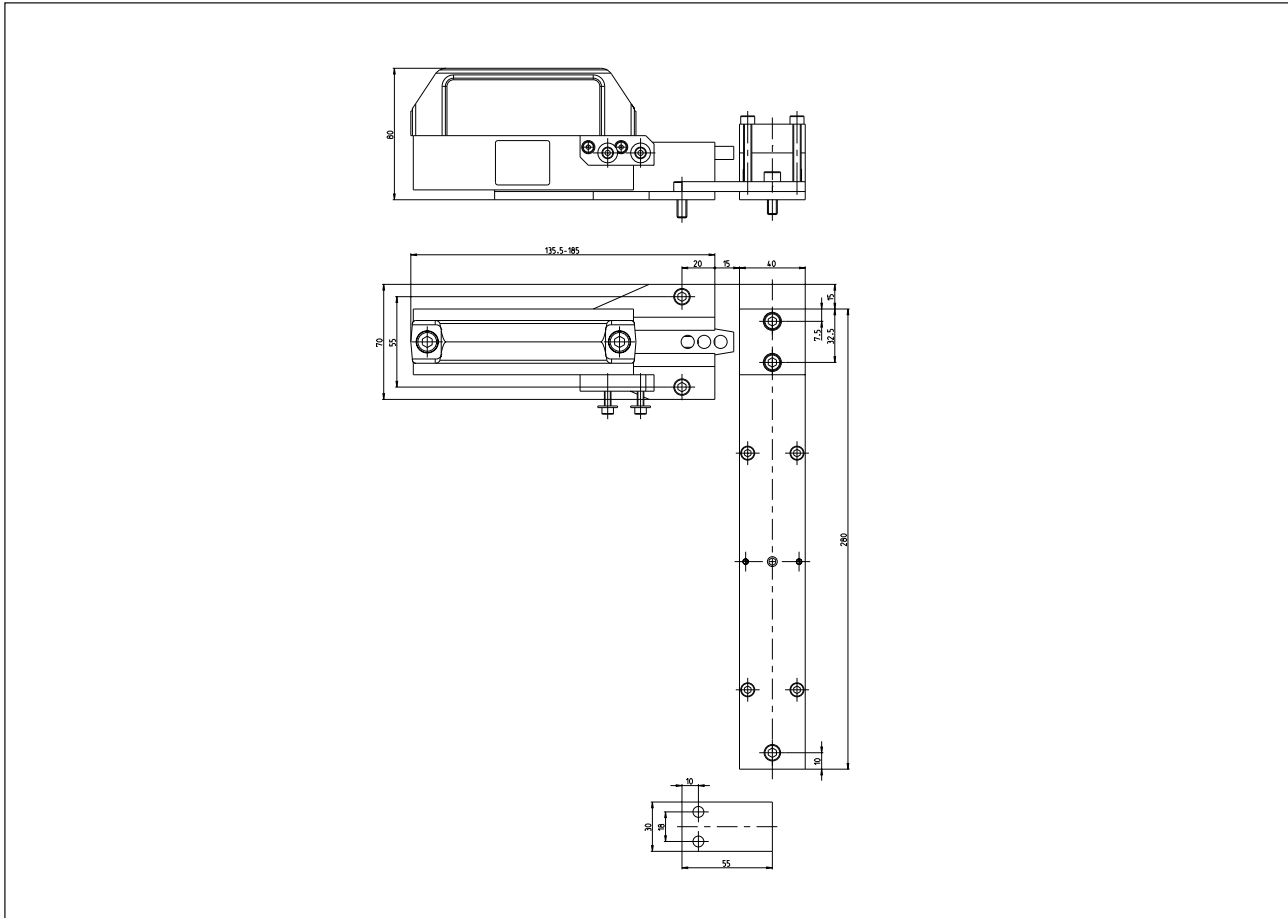


Bolt for safety equipment

Series BF

Description **BF5-SLC**

Article number **6051201012**



Mechanical data

Base plate / carrier sections	Aluminium
U-handle	PA, black
Bolt	Steel
Mechanical life	1 x 10 ⁶ Zyklen
Assembly	Door: 2 x M6 Frame: 3 x M6
Weight	≈ 0,90 kg
Installation position	Attached right / left

Standards

Together with a safety switch, the latch serves as a mechanical locking device conforming to DIN EN ISO 12100 and DIN EN ISO 14119.

Notes

A SLC - safety switch and actuator can be purchased to match the BF5-SLC.
The mounting material is enclosed with the BF5-SLC.